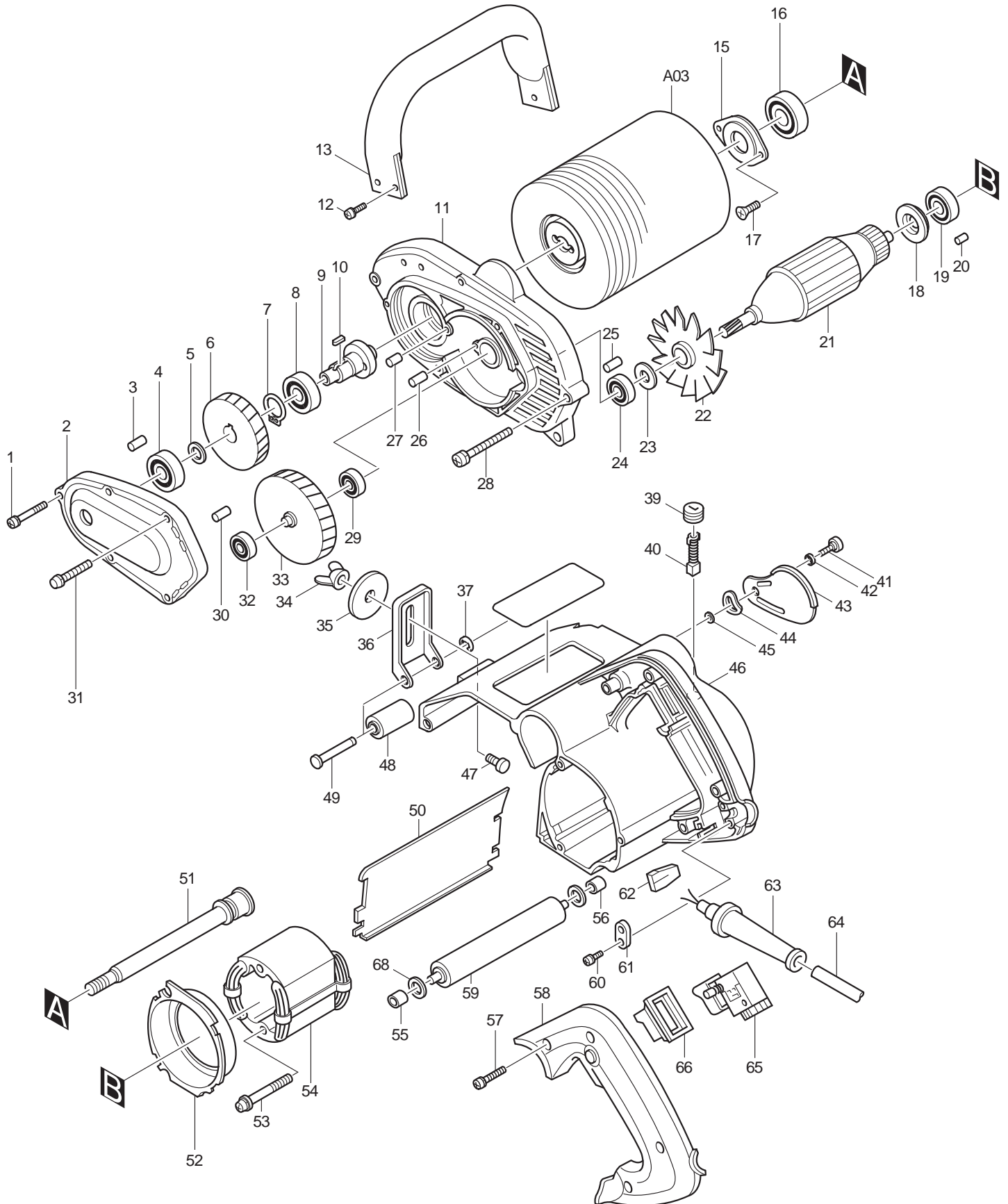




04 -2010

9741

WHEEL SANDER (W/ELECTRIC BRAKE)



Item No	Type	Ref	Part No	Description	Qty	Unit
1			911248-8	PAN HEAD SCREW M5X28	3	PC.
2			157777-9	GEAR HOUSING COVER	1	PC.
		INC.		Item No. 3, 30		
3			263002-9	RUBBER PIN 4	1	PC.
4			211101-1	BALL BEARING 6001LLB	1	PC.
5			253744-3	FLAT WASHER 12	1	PC.
6			221756-4	HELICAL GEAR 53	1	PC.
7			961055-9	RETAINING RING S-15	1	PC.
8			211236-8	BALL BEARING 6002DDW	1	PC.
9			163269-8	SPINDLE	1	PC.
10			254219-5	KEY 4	1	PC.
11			157776-1	GEAR HOUSING	1	PC.
		INC.		Item No. 25-27		
12			911218-7	PAN HEAD SCREW M5X14	3	PC.
13			273623-9	GRIP	1	PC.
15			285661-9	BEARING RETAINER	1	PC.
16			211275-8	BALL BEARING 6003DDW	1	PC.
17	1		912122-3	COUNTERSUNK HEAD SCREW M4X14	2	PC.
	2		251295-0	COUNTERSUNK HEAD SCREW M4X14 W/ADHESIVE	2	PC.
18			681625-5	INSULATION WASHER	1	PC.
19			211031-6	BALL BEARING 608LLB	1	PC.
20			263014-2	RUBBER PIN 4	1	PC.
21			512926-9	ARMATURE ASS'Y 115V	1	PC.
		INC.		Item No. 18,19,22,23,24		
22			241113-0	FAN 68	1	PC.
23			253024-7	FLAT WASHER 10	1	PC.
24			211088-7	BALL BEARING 6000DDW	1	PC.
25			263002-9	RUBBER PIN 4	1	PC.
26			263002-9	RUBBER PIN 4	1	PC.
27			263005-3	RUBBER PIN 6	1	PC.
28			911258-5	PAN HEAD SCREW M5X35	3	PC.
29			211019-6	BALL BEARING 626	1	PC.
30			263002-9	RUBBER PIN 4	1	PC.
31			911278-9	PAN HEAD SCREW M5X55	2	PC.
32			211019-6	BALL BEARING 626	1	PC.
33			153168-2	GEAR COMPLETE 64	1	PC.
34			934301-3	WING NUT M6	1	PC.
35			253196-8	FLAT WASHER 6	1	PC.
36			343434-7	DEPTH GUIDE	1	PC.
37			961018-5	STOP RING E-5	1	PC.
39			643600-9	BRUSH HOLDER CAP 6-10	2	PC.
40	1		191945-4	CARBON BRUSH CB-124 2PC/SET (W/O ORIGIN)	1	SET
	2		194982-7	CARBON BRUSH CB-124 2PC/SET (W/ ORIGIN)	1	SET
41			251323-1	+ PAN HEAD SCREW	1	PC.
42			253308-3	THIN WASHER 6	1	PC.
43			343436-3	COVER PLATE	1	PC.
44			253980-1	WAVE WASHER 14	1	PC.
45			253874-0	FLAT WASHER 4	1	PC.
46			157992-5	HOUSING	1	PC.
		INC.	643609-1	BRUSH HOLDER 6-10	2	PC.
		INC.		Item No. 20,56		
47			251919-8	CAP SQUARE NECK BOLT M6X20	1	PC.
48			162134-8	FRONT ROLLER	1	PC.

Item No	Type	Ref	Part No	Description	Qty	Unit
49			256655-1	PIN 7	1	PC.
50			343435-5	PLATE	1	PC.
51			322071-0	ARBOR	1	PC.
52			410957-1	BAFFLE PLATE	1	PC.
53			911285-2	PAN HEAD SCREW M5X60	2	PC.
54			522686-5	FIELD ASS'Y 115V	1	PC.
		INC.	654019-7	RING TERMINAL	1	PC.
		INC.	654501-6	CONNECTOR P-1.25	1	PC.
55			262515-7	SLEEVE 6	1	PC.
56			262515-7	SLEEVE 6	1	PC.
57			911153-9	PAN HEAD SCREW M4X28	4	PC.
58			410954-7	HANDLE COVER	1	PC.
59			162133-0	ROLLER	1	PC.
60			911133-5	PAN HEAD SCREW M4X18	2	PC.
61			687002-9	STRAIN RELIEF	1	PC.
62			423096-8	SPONGE SEAL	1	PC.
63			682502-4	CORD GUARD 8-85	1	PC.
64			660023-6	CORD W/PLUG 2P-18-5.0M, SJ	1	PC.
65			651332-4	SWITCH SGEL210R-4	1	PC.
66			421323-7	SWITCH COVER	1	PC.
68			941152-7	FLAT WASHER 6	2	PC.

ACCESSORIES

A01			P-80014	JOINT	1	PC.
A02			783204-6	HEX. WRENCH 6	2	PC.
A03			794379-6	NYLON BRUSH WHEEL 120-100	1	PC.
A04			794383-5	NYLON BRUSH WHEEL 120-240	1	PC.
A05			794381-9	COTTON BUFF WHEEL 120	1	PC.